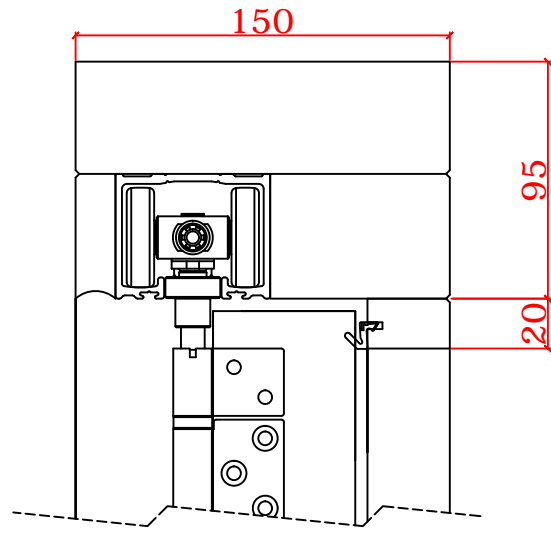
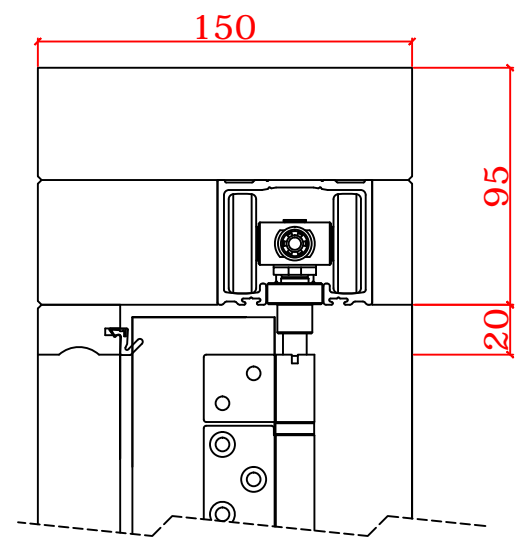


**FLUSH
PATIO
SILL**



**STANDARD
TIMBER
DRIP SILL**



**STANDARD
INWARD OPENING
TIMBER DRIP SILL**

